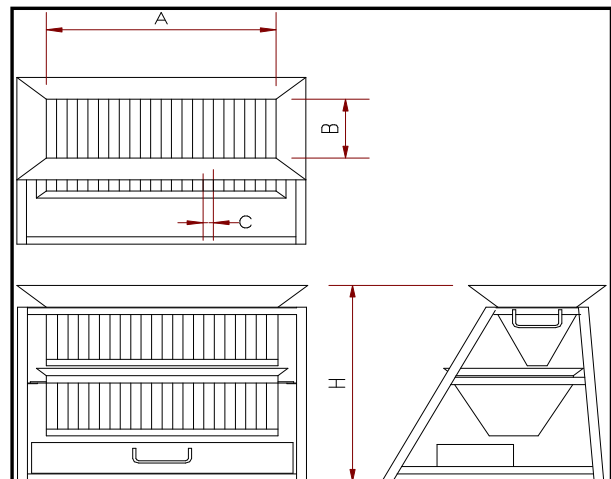
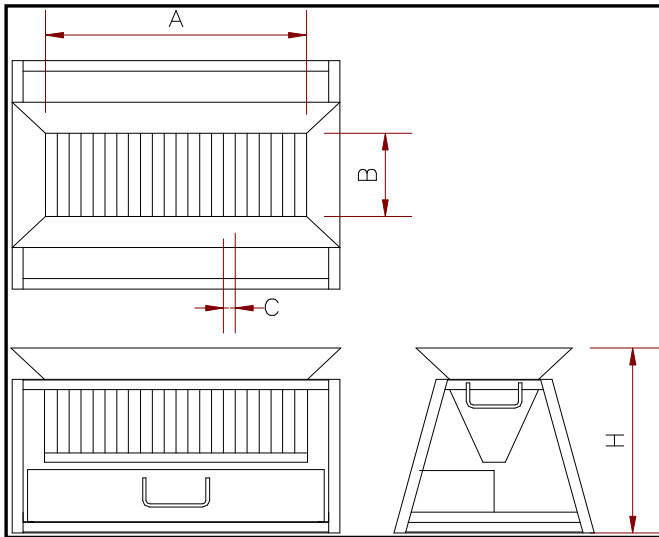
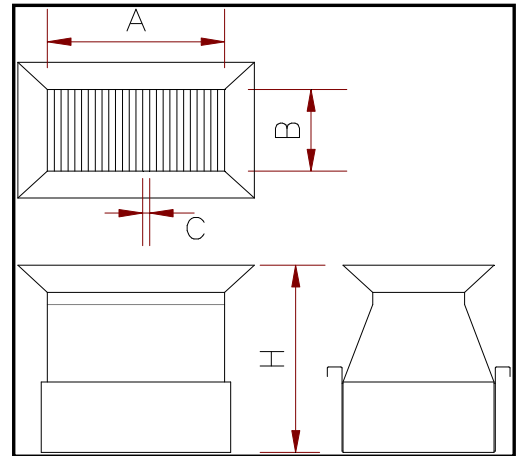


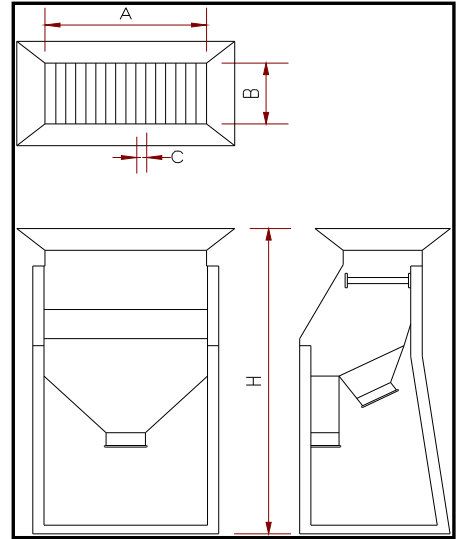
# Sietronics Pty Ltd

ANALYTICAL SPECIALISTS

Unit 3, 22 Walder Street (PO Box 3066), Belconnen ACT 2617  
Telephone: +61 2 6251 6611 • Facsimile: +61 2 6251 6659  
E-mail: [spl@sietronics.com.au](mailto:spl@sietronics.com.au) • Internet: [www.sietronics.com.au](http://www.sietronics.com.au)  
ABN 87 008 536 794

## RIFFLE SPLITTERS





**50/50 TRAY COLLECT FULLY ENCLOSED LABORATORY UNIT ( 1 TIER )**

**DESCRIPTION**

<b>RIFFLE SIZE &amp; BLADE WIDTH</b>	<b>PRODUCT CODE</b>
150 x 150 x 6	SPL 1506 LAB
150 x 150 x 10	SPL 15010 LAB
300 x 150 x 6	SPL 3006 LAB
300 x 150 x 10	SPL 30010 LAB
300 x 150 x 15	SPL 30015 LAB
300 x 150 x 20	SPL 30020 LAB
300 x 150 x 25	SPL 30025 LAB

**50/50 TRAY COLLECT FIELD UNIT ( 1 TIER )**

**DESCRIPTION**

<b>RIFFLE SIZE &amp; BLADE WIDTH</b>	<b>PRODUCT CODE</b>
450 x 200 x 20	SPL 45020 T1
450 x 200 x 25	SPL 45025 T1
450 x 200 x 35	SPL 45035 T1
600 x 200 x 20	SPL 60020 T1
600 x 200 x 25	SPL 60025 T1
600 x 200 x 35	SPL 60035 T1

**25/75 TRAY COLLECT FIELD UNIT ( 2 TIER )**

**DESCRIPTION**

<b>RIFFLE SIZE &amp; BLADE WIDTH</b>	<b>PRODUCT CODE</b>
450 x 200 x 25	SPL 45025 T2
600 x 200 x 25	SPL 60025 T2

**12.5/87.5 BAG COLLECT UNIT ON STAND ( 3 TIER )**

**DESCRIPTION**

<b>RIFFLE SIZE &amp; BLADE WIDTH</b>	<b>PRODUCT CODE</b>		
400 x 200 x 25	SPL 40025 B3		
400 x 200 x 35	SPL 40035 B3		
<b>PRODUCT CODE</b>	<b>NETT WEIGHT - KGS</b>	<b>PHYSICAL SIZE - M/3</b>	<b>TRAYS INCLUDED</b>
	*	*	
SPL 15010 LAB	18.00	0.038	3
SPL 30010 LAB	25.00	0.059	3
SPL 30015 LAB	25.00	0.059	3
SPL 30020 LAB	25.00	0.059	3
SPL 30025 LAB	23.00	0.059	3
SPL 45020 T1	40.00	0.12	3
SPL 45025 T1	39.00	0.12	3
SPL 45035 T1	38.00	0.12	3
SPL 60020 T1	50.00	0.15	3
SPL 60025 T1	48.00	0.15	3
SPL 60035 T1	45.00	0.15	3
SPL 45025 T2	65.00	0.25	3
SPL 60025 T2	75.00	0.32	3
SPL 40025 B3	68.00	0.27	N/A
SPL 40035 B3	65.00	0.27	N/A